

“Fastback” Porcelain Trim kit accessory

WARNING



Be sure all packing materials are removed from the island trim before operating it.



The Fastback Porcelain Trim becomes very hot during operation. **DO NOT** touch the Fastback Porcelain Trim area while the appliance is on and for several minutes after the appliance is off. Some parts of the Fastback Porcelain Trim and surrounding areas become hot enough to cause burns. Allow appliance sufficient time to cool before touching or cleaning Fastback Porcelain Trim areas.

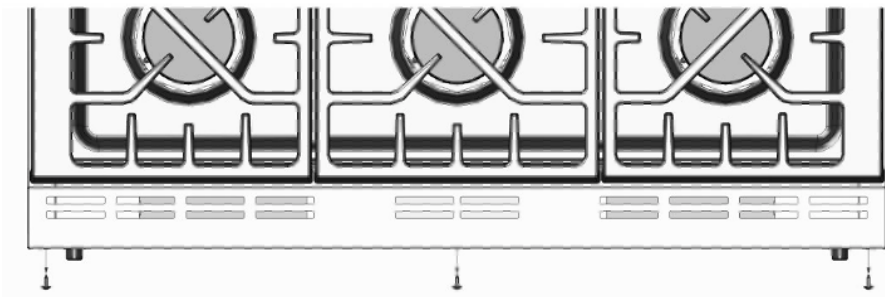


Keep children well out of reach the Fastback Porcelain Trim .

To change the backsplash with Fastback Porcelain Trim please follow the instructions below:

1. Remove the 3 screws in the back part of the backsplash and untighten the two screws below the slots:

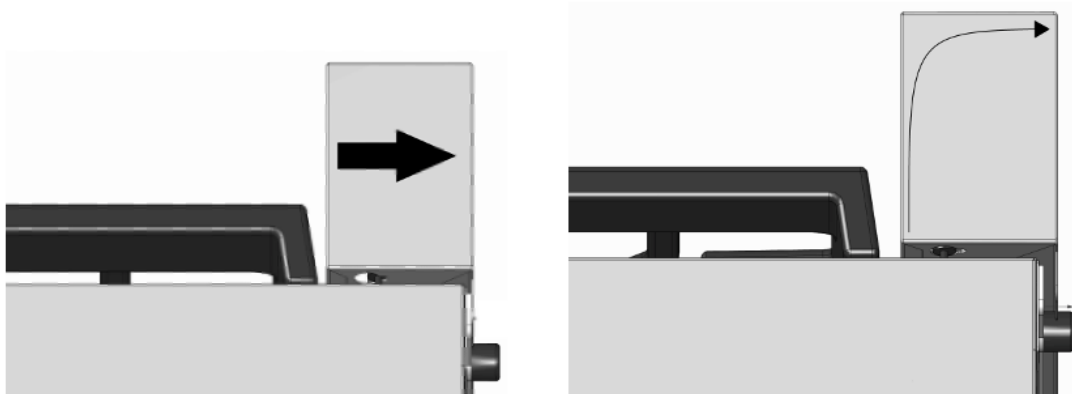
BACK SCREWS



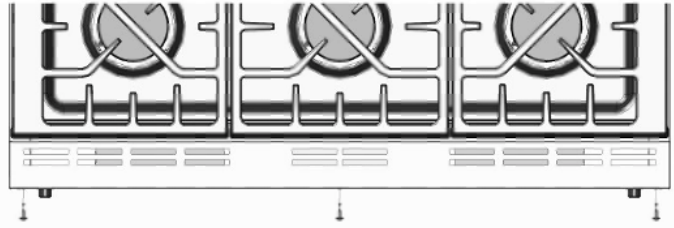
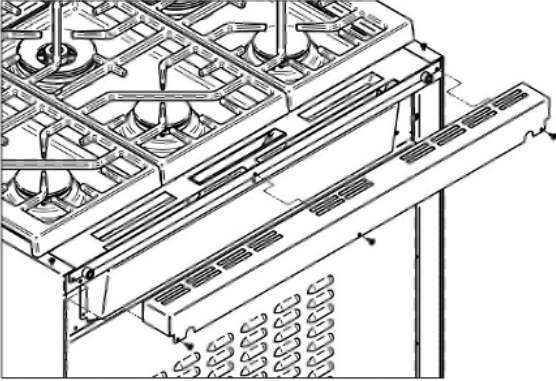
SCREWS BELOW THE SLOTS (CIRCLED):



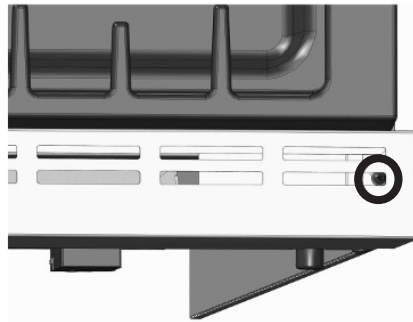
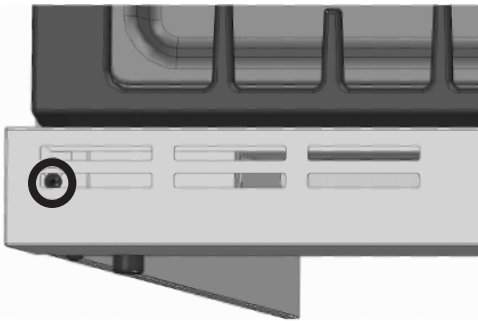
2. Remove the backsplash;



3. Assemble the Fastback Porcelain Trim, starting from the three back screws:



4. Tighten the two screws (circled) below the Fastback Porcelain Trim slots:



INSTALLATION

The range is a free standing unit. If the unit is to be placed adjacent to cabinets, the clearances shown in Figure 1 on the installation manual are required. The same clearances apply to island installations, except for the overhead cabinets, which must have a space wide enough to accept the flared island hood.

- Any openings in the wall behind the range and in the floor under the range must be sealed.
- The gas and electrical supply should be within the zones shown in Figure 1.
- When using the island hood recommends a minimum 12" (305 mm) rear clearance to a combustible surface (see Figure 2, Cabinet Clearances). Clearances from non-combustible materials are not part of the ANSI Z21.1 scope. Clearances of less than 12" (305 mm) must be approved by the local codes and/or by the local authority having jurisdiction.
- When the range is installed against a combustible side wall a minimum clearance of 8" (203mm) is needed from the side of the range to the wall. Always keep appliance area clear from combustible materials, gasoline and other flammable vapors and liquids. The maximum depth of overhead cabinets installed on either side of the hood is 13" (330mm).
- Do not obstruct the flow of combustion and ventilation air to the unit. There is a 48" (1220 mm) minimum clearance required between the top of the cooking surface and the bottom of an unprotected cabinet.

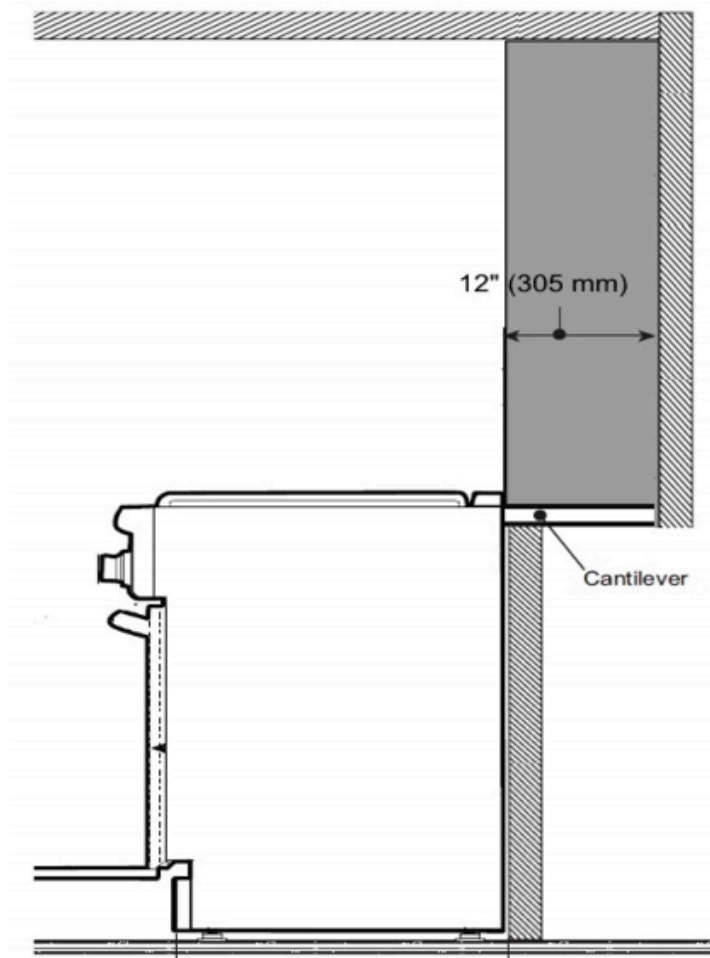


FIGURE 2